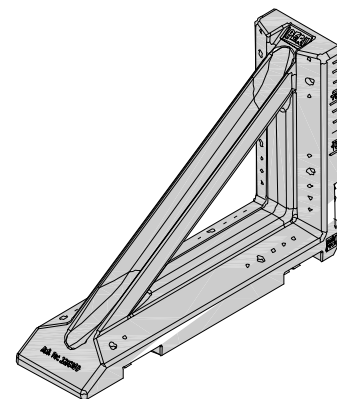


Sbatacchio in plastica

Articolo nr.: 126299



Distanze di influenza ammissibili [m] per Sbatacchio in plastica in funzione dello spessore del solaio e dell'altezza delle travi ribassate e del tipo di fissaggio

		Cassaforma per solaio (1.) Trave di bordo (2.)				Trave a T (3.)											
						x2 [m]											
		0.00				0.20				0.25				0.30			
Sottostruttura		inchiodato a				inchiodato a				inchiodato a				inchiodato a			
		Fin-Ply 9 mm	Fin-Ply 15 mm	Fin-Ply 21 mm	Travetto in legno	Fin-Ply 9 mm	Fin-Ply 15 mm	Fin-Ply 21 mm	Travetto in legno	Fin-Ply 9 mm	Fin-Ply 15 mm	Fin-Ply 21 mm	Travetto in legno	Fin-Ply 9 mm	Fin-Ply 15 mm	Fin-Ply 21 mm	Travetto in legno
x1 [m]	0.00					3.27	3.27	3.27	3.27	1.67	2.73	2.86	2.86	0.96	1.56	2.44	1.66
	0.20	2.33	3.27	3.27	3.27	0.73	1.20	1.66	1.26	0.43	0.70	0.97	0.75	0.28	0.45	0.67	0.49
	0.25	1.21	1.97	2.74	2.09	0.62	1.02	1.41	1.08	0.38	0.61	0.85	0.66	0.24	0.39	0.58	0.42
	0.30	0.72	1.17	1.62	1.25	0.54	0.89	1.24	0.94	0.32	0.53	0.73	0.57	-	0.35	0.51	0.37
	0.33	0.54	0.88	1.21	0.94	0.50	0.83	1.15	0.87	0.30	0.49	0.68	0.52	-	0.32	0.47	0.35
	0.35	0.45	0.73	1.01	0.78	0.48	0.79	1.09	0.83	0.29	0.47	0.65	0.50	-	0.31	0.45	0.33
	0.40	0.30	0.48	0.67	0.52	0.43	0.70	0.98	0.74	0.26	0.42	0.59	0.45	-	0.28	0.41	0.30

		Trave a T (3.)											
		x2 [m]											
		0.35				0.40				0.50			
Sottostruttura		inchiodato a				inchiodato a				inchiodato a			
		Fin-Ply 9 mm	Fin-Ply 15 mm	Fin-Ply 21 mm	Travetto in legno	Fin-Ply 9 mm	Fin-Ply 15 mm	Fin-Ply 21 mm	Travetto in legno	Fin-Ply 9 mm	Fin-Ply 15 mm	Fin-Ply 21 mm	Travetto in legno
x1 [m]	0	0.59	0.96	1.33	1.02	0.39	0.63	0.88	0.68	-	0.32	0.44	0.34
	0.20	-	0.31	0.43	0.33	-	-	0.31	0.24	-	-	-	-
	0.25	-	0.27	0.38	0.29	-	-	0.28	-	-	-	-	-
	0.30	-	0.24	0.34	0.26	-	-	0.24	-	-	-	-	-
	0.33	-	-	0.31	0.24	-	-	-	-	-	-	-	-
	0.35	-	-	0.30	-	-	-	-	-	-	-	-	-
	0.40	-	-	0.27	-	-	-	-	-	-	-	-	-

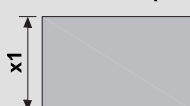
- Inchiodare con 8 chiodi Ø 3.1 mm (6 davanti e 2 dietro).

La sottostruttura deve essere verificata per i carichi a cui è sottoposta. I carichi equivalenti pari a (V/100) agenti orizzontalmente e la pressione laterale (ad es. la trave di bordo) devono essere contrastati con mezzi idonei forniti dalla committenza.

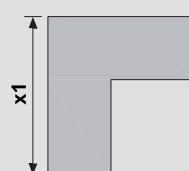
Lo sbatacchio in plastica non deve essere utilizzato come mensola per sostenere carichi derivanti da solai a sbalzo o piattaforma di lavoro.

PERI GmbH
Formwork Scaffolding Engineering
 Rudolf-Diesel-Strasse 19
 89264 Weissenhorn
 Germany
 Phone +49 (0)7309.950-0
 Telefax +49 (0)7309.951-0
 info@peri.com
 www.peri.com

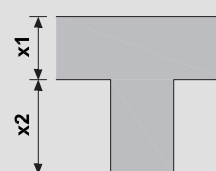
1. Sbatacchio per solaio



2. Solaio con trave di bordo

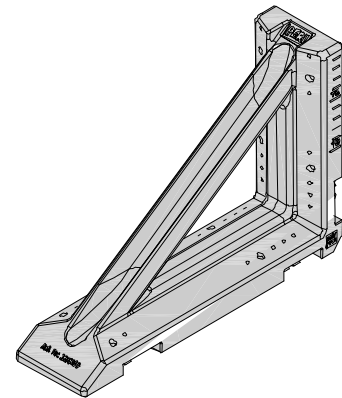


3. Solaio con trave a T



Plastic Stopend Angle

Item-no.: 126299



Permissible width of influence [m] for Plastic Stopend Angle depending on the slab thickness, beam depth and type of fixing

		Slab Formwork (1.) Edge Beam (2.)				T-Beam (3.)											
						x2 [m]											
		0.00				0.20				0.25				0.30			
Sub-Structure	x1 [m]	nailed to				nailed to				nailed to				nailed to			
		Fin-Ply 9 mm	Fin-Ply 15 mm	Fin-Ply 21 mm	Timber Girder	Fin-Ply 9 mm	Fin-Ply 15 mm	Fin-Ply 21 mm	Timber Girder	Fin-Ply 9 mm	Fin-Ply 15 mm	Fin-Ply 21 mm	Timber Girder	Fin-Ply 9 mm	Fin-Ply 15 mm	Fin-Ply 21 mm	Timber Girder
	0.00					3.27	3.27	3.27	3.27	1.67	2.73	2.86	2.86	0.96	1.56	2.44	1.66
	0.20	2.33	3.27	3.27	3.27	0.73	1.20	1.66	1.26	0.43	0.70	0.97	0.75	0.28	0.45	0.67	0.49
	0.25	1.21	1.97	2.74	2.09	0.62	1.02	1.41	1.08	0.38	0.61	0.85	0.66	0.24	0.39	0.58	0.42
	0.30	0.72	1.17	1.62	1.25	0.54	0.89	1.24	0.94	0.32	0.53	0.73	0.57	-	0.35	0.51	0.37
	0.33	0.54	0.88	1.21	0.94	0.50	0.83	1.15	0.87	0.30	0.49	0.68	0.52	-	0.32	0.47	0.35
	0.35	0.45	0.73	1.01	0.78	0.48	0.79	1.09	0.83	0.29	0.47	0.65	0.50	-	0.31	0.45	0.33
	0.40	0.30	0.48	0.67	0.52	0.43	0.70	0.98	0.74	0.26	0.42	0.59	0.45	-	0.28	0.41	0.30

		T-Beam (3.)											
		x2 [m]											
		0.35				0.40				0.50			
Sub-Structure	x1 [m]	nailed to				nailed to				nailed to			
		Fin-Ply 9 mm	Fin-Ply 15 mm	Fin-Ply 21 mm	Timber Girder	Fin-Ply 9 mm	Fin-Ply 15 mm	Fin-Ply 21 mm	Timber Girder	Fin-Ply 9 mm	Fin-Ply 15 mm	Fin-Ply 21 mm	Timber Girder
	0	0.59	0.96	1.33	1.02	0.39	0.63	0.88	0.68	-	0.32	0.44	0.34
	0.20	-	0.31	0.43	0.33	-	-	0.31	0.24	-	-	-	-
	0.25	-	0.27	0.38	0.29	-	-	0.28	-	-	-	-	-
	0.30	-	0.24	0.34	0.26	-	-	0.24	-	-	-	-	-
	0.33	-	-	0.31	0.24	-	-	-	-	-	-	-	-
	0.35	-	-	0.30	-	-	-	-	-	-	-	-	-
	0.40	-	-	0.27	-	-	-	-	-	-	-	-	-

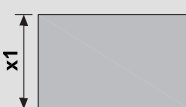
- Nail with 8 nails Ø 3.1 mm (6 at the front and 2 at the back).

Separate structural calculations must be provided to show that the sub-structure can carry all resulting loads. The equivalent load (V/100) acting horizontally and the pressures arising on one side (e.g. the edge beam) are to be accommodated by suitable means provided by the contractor.

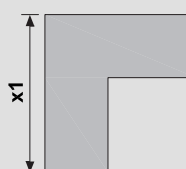
The Plastic Stopend Angle mustn't be used as bracket to carry loads such as cantilevered slabs or working platforms.

PERI GmbH
Formwork Scaffolding Engineering
 Rudolf-Diesel-Strasse 19
 89264 Weissenhorn
 Germany
 Phone +49 (0)7309.950-0
 Telefax +49 (0)7309.951-0
 info@peri.com
 www.peri.com

1. Stopend for Slab Formwork



2. Slab with Edge Beam



3. Slab with T-Beam

